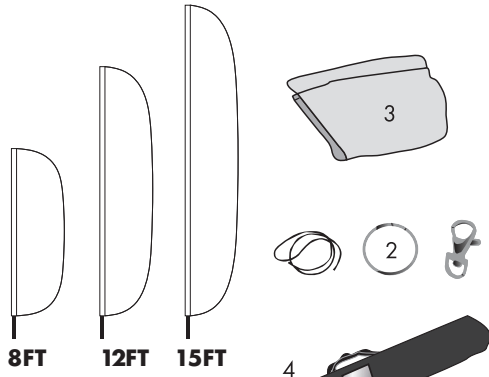


Stadium Flutter Flags



Optional
A - Ground Spike



Product Parts

- 1 - Poles (as shown)
- 2 - 190712 Banner Tie Kit (Elastic Cord, Ring, Clip)
- 3 - Graphic
- 4 - Case

Display Set-Up

Step 1

Remove parts from the carry case and place them on a clean flat surface.

Assemble the Poles (1) together by inserting the Bottom Pole into the Middle Pole.



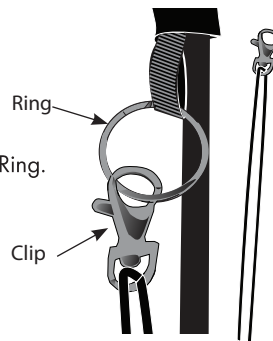
Step 3

Carefully insert the top end of the assembled Poles (1) into the pole pocket of the Graphic (3) opening is at the bottom, push the Pole (1) as far as it will go until it hits the end of the pole pocket. **DO NOT FORCEFULLY PUSH THE POLE OR IT COULD SNAP!**



Step 5

Put one end of the Elastic Cord through the Clip. Attach Clip to the Ring.

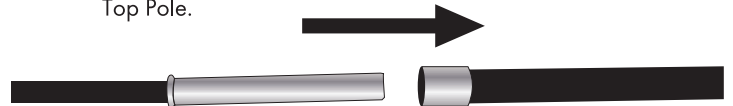


Step 6

Using the Elastic Cord pull down the Graphic on the pole to create the desired shape. Knot the end of the Elastic Cord and secure under the plastic Pole Hook that is on the base of the Bottom Pole.

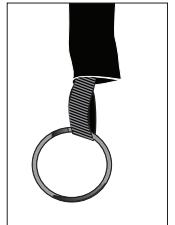
Step 2

Insert the Top Pole into the Middle Pole. NOTE: for the 15' pole there are 2 Middle Poles to connect together before inserting the Top Pole.



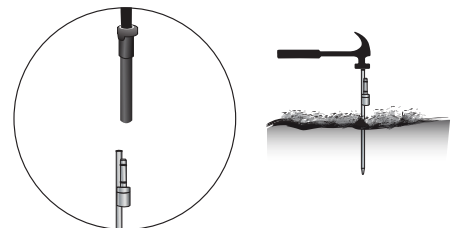
Step 4

Remove the Ring from the Clip on the Elastic Cord Kit. Connect the Ring to the webbing loop on the bottom end of your Graphics Pole Pocket.



Optional Ground Spike (A)

Hammer Ground Spike (A) into ground at desired location. **DO NOT hammer the shorter post (stem).** Insert bottom of pole over stem of Ground Spike.



Storage and Care

Place all product parts into carry case and store in a cool dry location, away from direct sunlight. Clean with a damp cloth. Do not iron or dry clean the graphic.